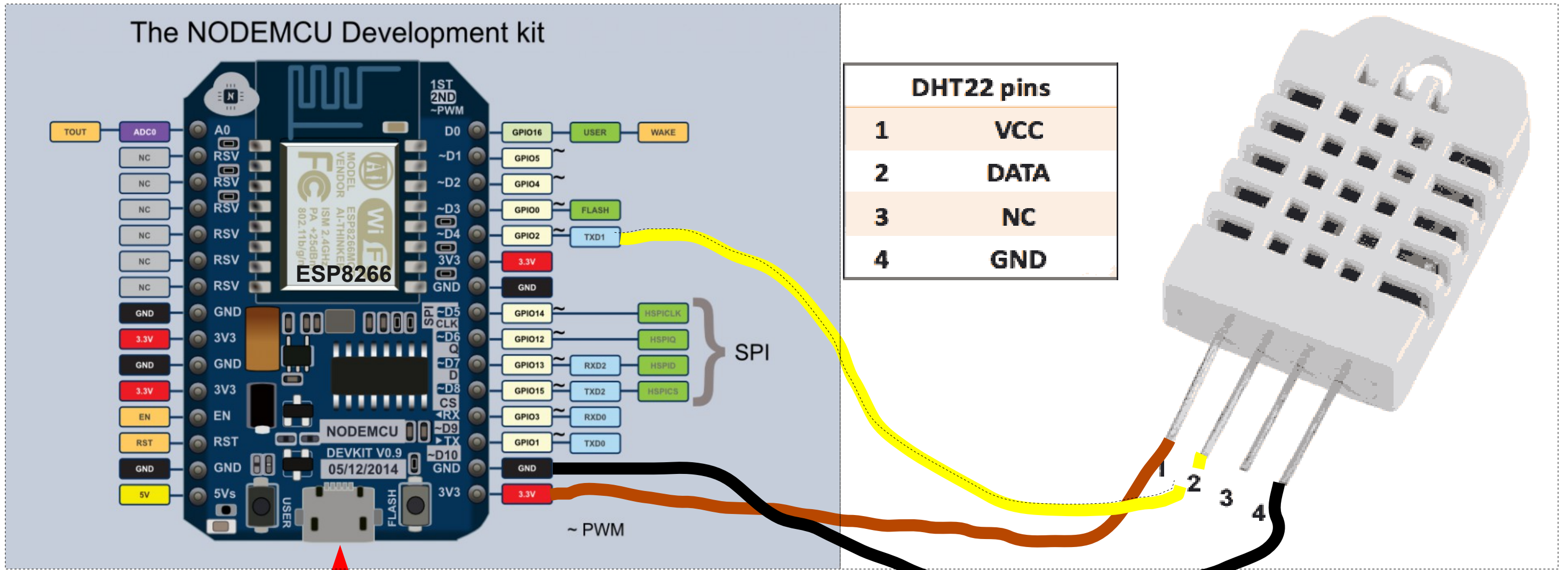




Wireless temperature and humidity transmitter (based on ESP8266 microcontroller & DHT22 sensor)



DHT22 pins	
1	VCC
2	DATA
3	NC
4	GND

+5V USB  POWER SUPPLY
firmware uploading / debugging